

Changer (5152) - Assembly and Operation Manual

Congratulations on purchasing a MDB Family product. This changer will provide many years of service if you adhere to the following guidelines for assembly, maintenance and operation. This changer is for residential use only. Any institutional use is strictly prohibited.

Please be sure to follow the instructions for proper assembly. Use a Phillips head screwdriver for assembling the changer in addition to the Allen wrench included in the hardware box. Do not use power screwdrivers. All of our changers are made from natural woods. Please understand that natural woods have color variations which are the result of nature and are not defects in workmanship.

DO NOT SUBSTITUTE PARTS. ALL MODELS HAVE THE SAME QUANTITY OF PARTS AND HARDWARE. YOUR MODEL MAY LOOK DIFFERENT FROM THE ONE ILLUSTRATED DUE TO STYLISTIC VARIATIONS.

⚠ WARNING!

READ ALL INSTRUCTIONS BEFORE USE OF THE CHANGING TABLE, ADD-ON CHANGING UNIT, OR CONTOURED CHANGING PAD.

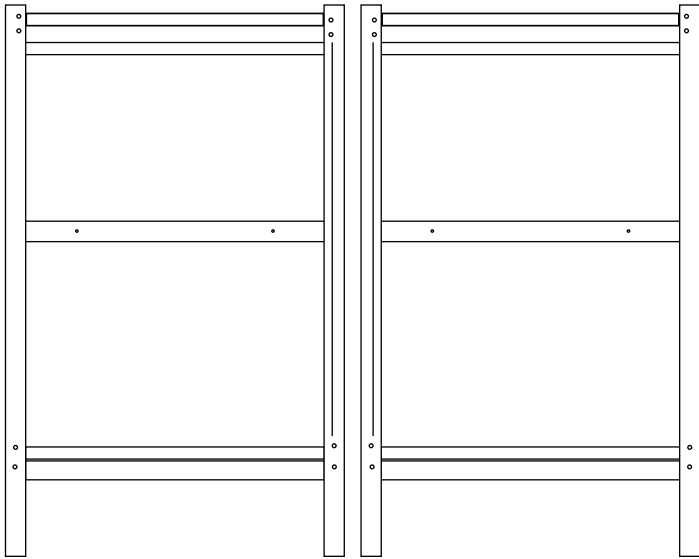
!!PLEASE READ!!

Assembly of this furniture is easier with two people. Assemble furniture on debris free carpets or on the enclosed foam sheets to prevent scratching of finish. Using any power tools to assemble this furniture may potentially strip the wood. **DO NOT OVERTIGHTEN SCREWS. DO NOT USE THE CHANGING TABLE IF IT IS DAMAGED OR BROKEN.**

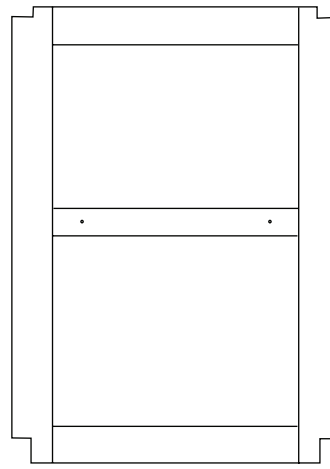


KEEP THIS MANUAL IN A SAFE PLACE FOR FUTURE REFERENCE.

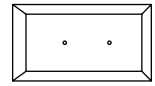
PARTS



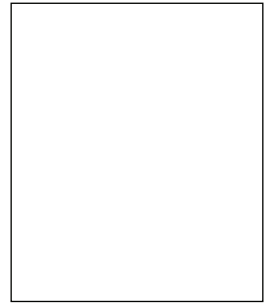
A. Left and Right Side Panel (2)



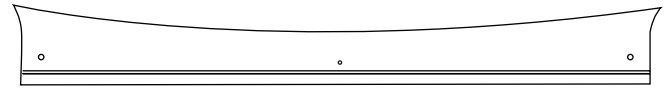
B. Center Panel



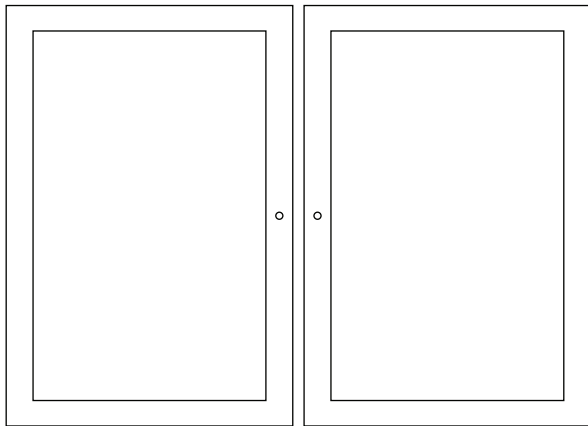
G. Foot (4)



H. Shelf (2)

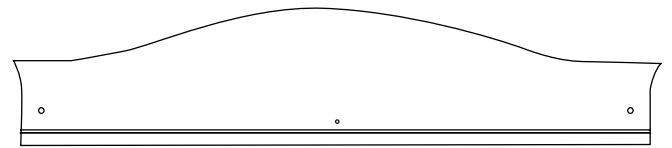


D. Top Front Support Panel

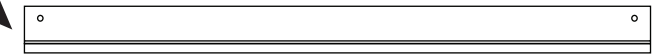


C. Left and Right Door (2)

Side View



E. Top Rear Support Panel

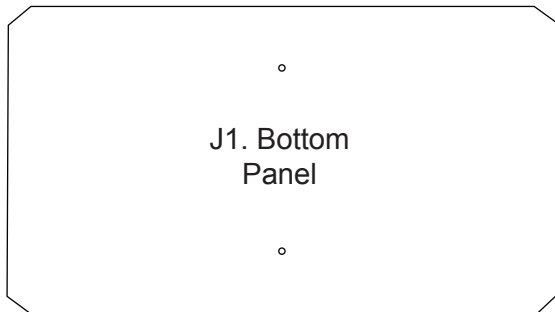


F1. Bottom Front Panel

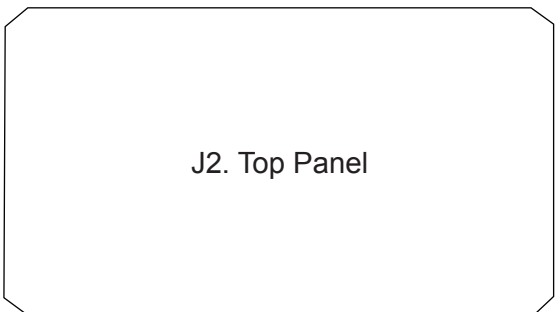
Side View



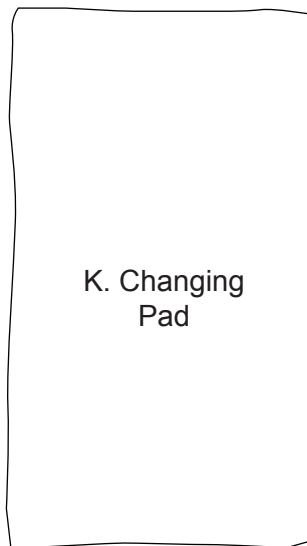
F2. Rear Support Panel



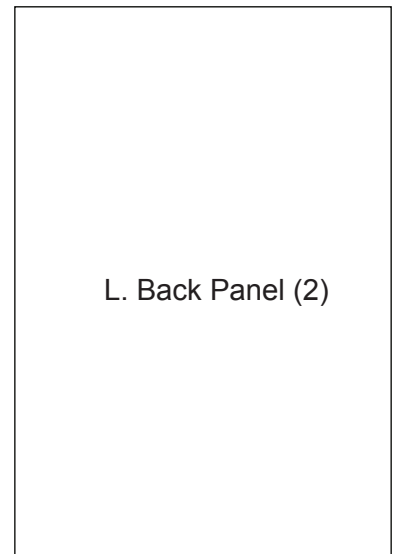
J1. Bottom Panel



J2. Top Panel

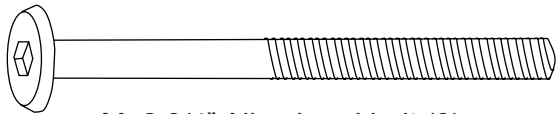


K. Changing Pad



L. Back Panel (2)

HARDWARE



M. 2 3/4" Allen head bolt (8)



N. 1 5/8" flat head screw (8)



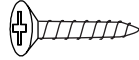
R. Barrel nut (8)



S. 1" Phillips Head Bolt (2)



T. 5/8" Pan Head Screw (4)



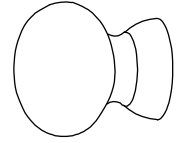
U. 5/8" Flat Head Screw (8)



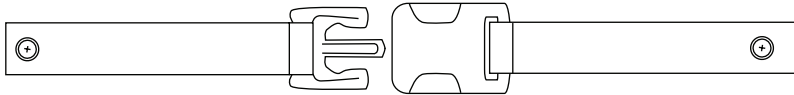
X. Metal Dowel (20)



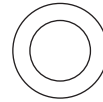
Y. Door Peg (4)



ZZ. Knob (2)



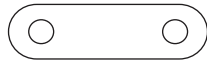
AA. Strap



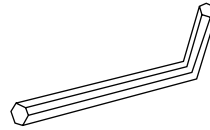
BB. 1/2" Washer (8)



DD. Door Catch (2)

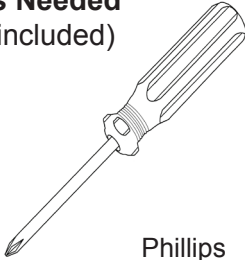


EE. Screw Plate (2)



FF. Allen Wrench

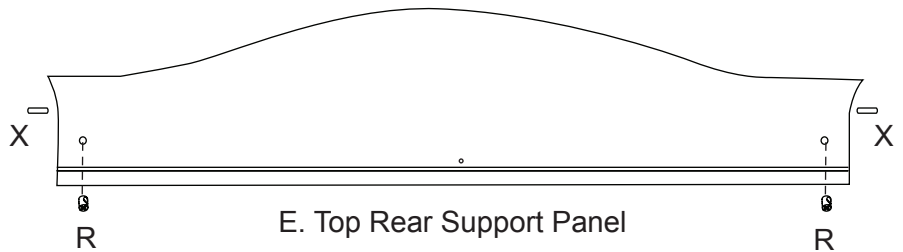
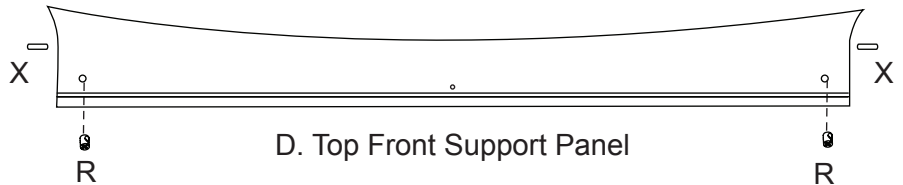
Tools Needed
(not included)



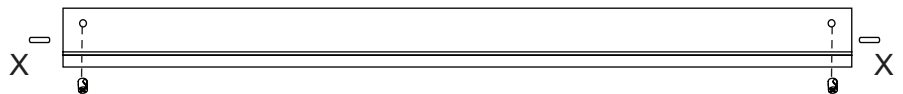
Phillips screwdriver

Step 1

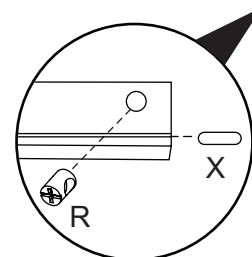
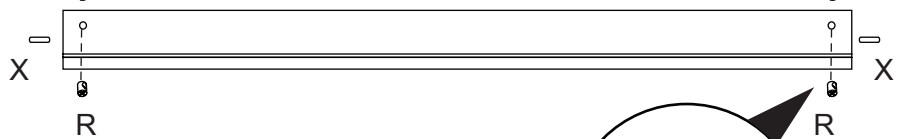
Insert the barrel nuts (R) and metal dowel (X) into the pre-drilled holes in all support rails (D, E, F1 & F2) as illustrated.



F1. Bottom Front Panel



F2. Rear Support Panel

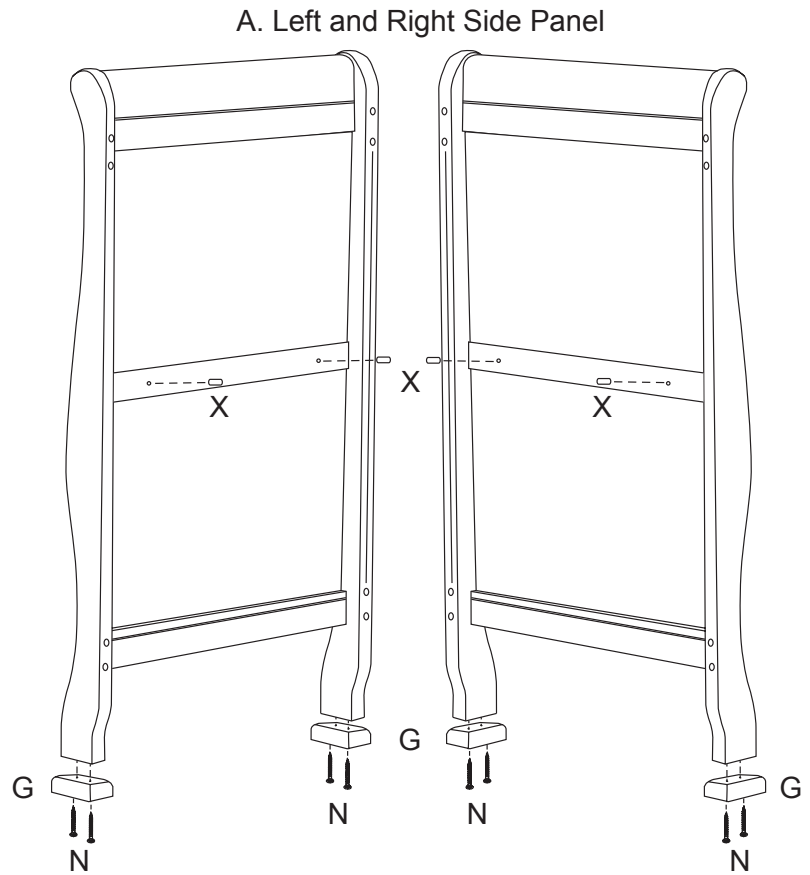


Step 2

Align feet (G) with the legs on the left and right side panel (A). Attach feet (G) with screws (N).

Fit the metal dowels (X) into the pre-drilled holes at the middle of left and right side panel (A).

DO NOT OVERTIGHTEN.

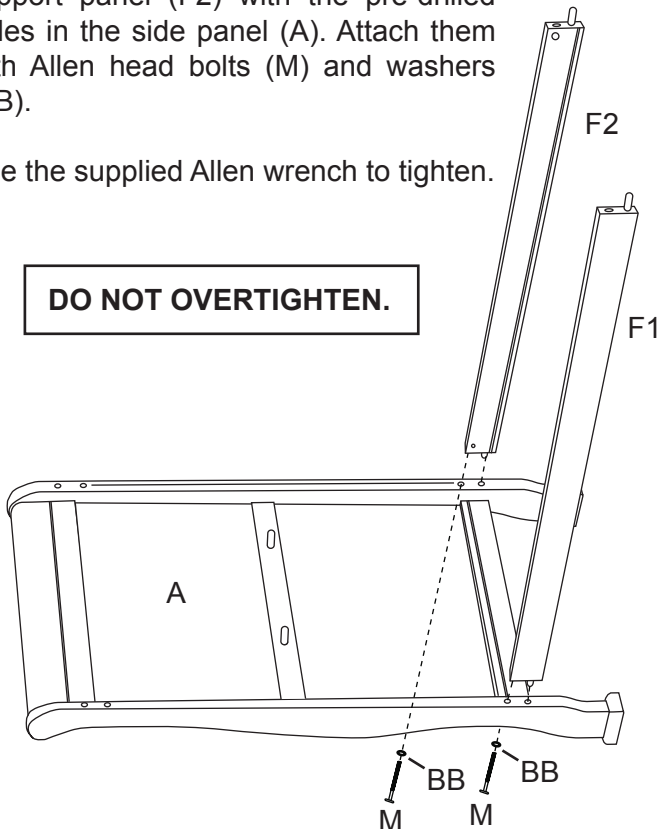


Step 3

Align the bottom front panel (F1) and rear support panel (F2) with the pre-drilled holes in the side panel (A). Attach them with Allen head bolts (M) and washers (BB).

Use the supplied Allen wrench to tighten.

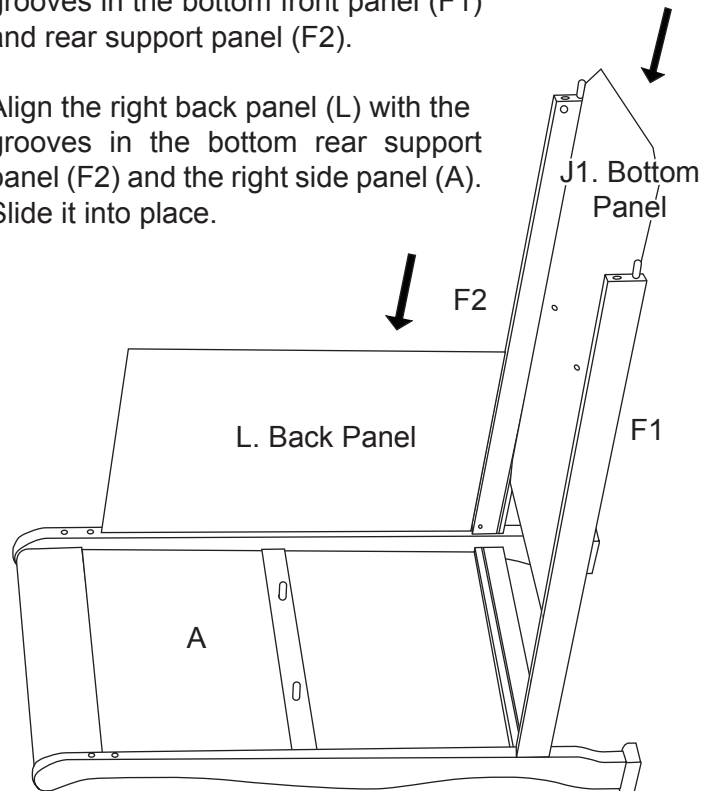
DO NOT OVERTIGHTEN.



Step 4

Slide the bottom panel (J1) into the grooves in the bottom front panel (F1) and rear support panel (F2).

Align the right back panel (L) with the grooves in the bottom rear support panel (F2) and the right side panel (A). Slide it into place.

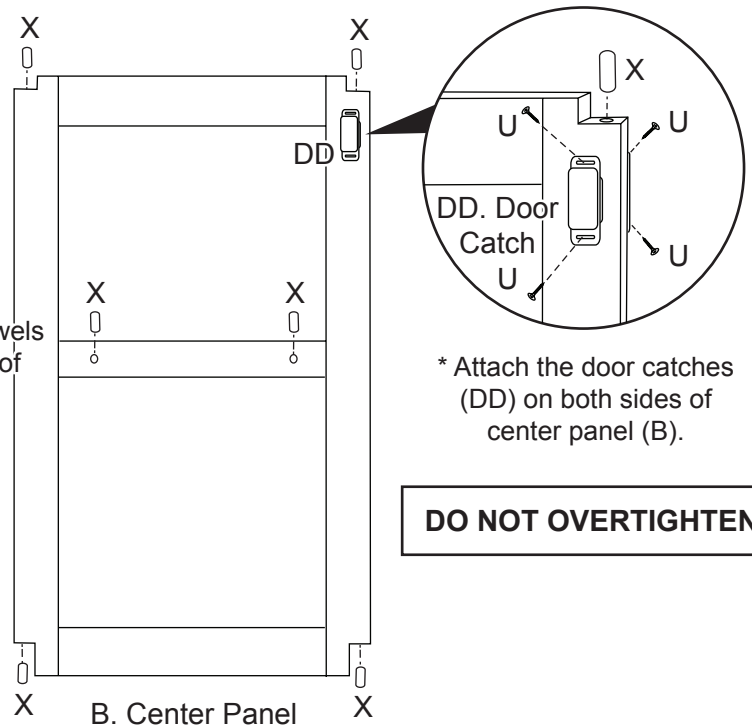


Step 5

Attach the two door catches (DD) to the top of the center panel (B) using the screws (U).

Insert the metal dowel (X) into the pre-drilled holes in the center panel (B) as illustrated.

* Insert the metal dowels (X) into both sides of center panel (B).



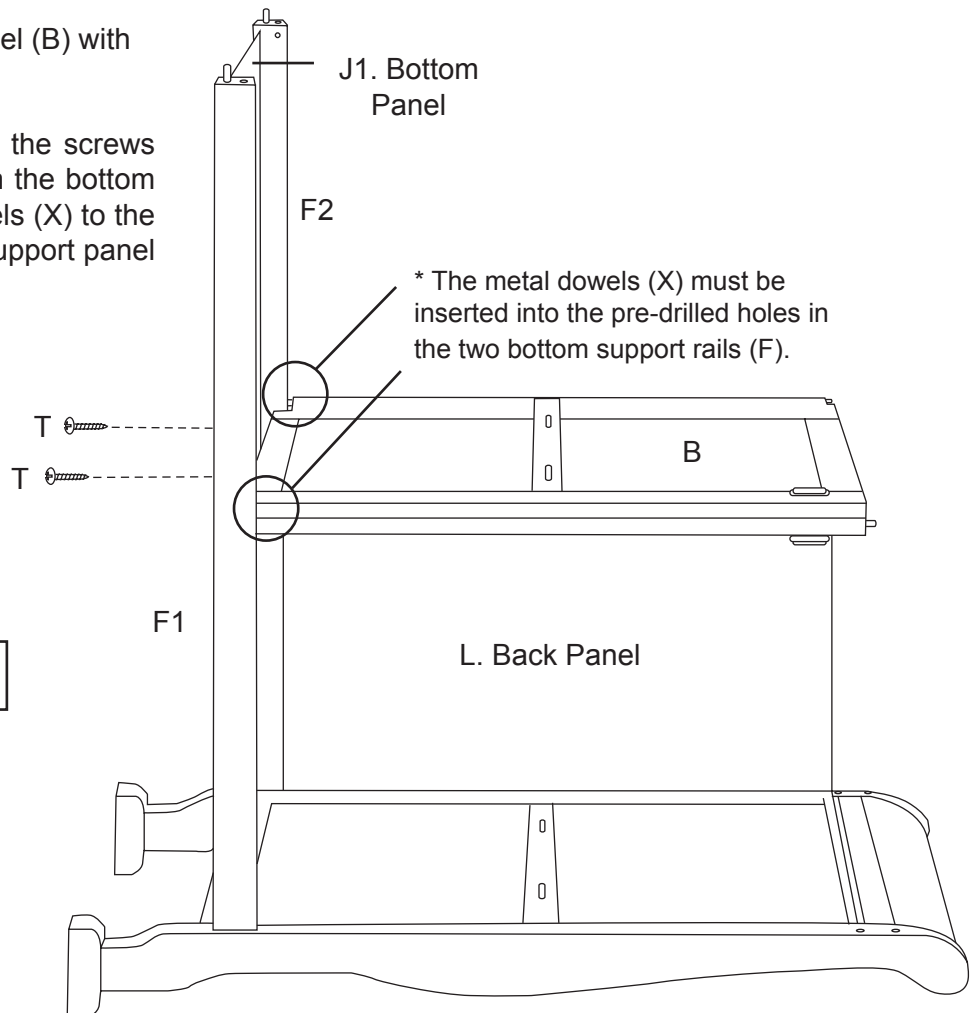
* Attach the door catches (DD) on both sides of center panel (B).

DO NOT OVERTIGHTEN.

Step 6

Align the groove on the center panel (B) with the back panel (L) and fit in place.

Attach the center panel (B) using the screws (T) through the pre-drilled holes in the bottom panel (J1) and the two metal dowels (X) to the bottom front panel (F1) and rear support panel (F2).



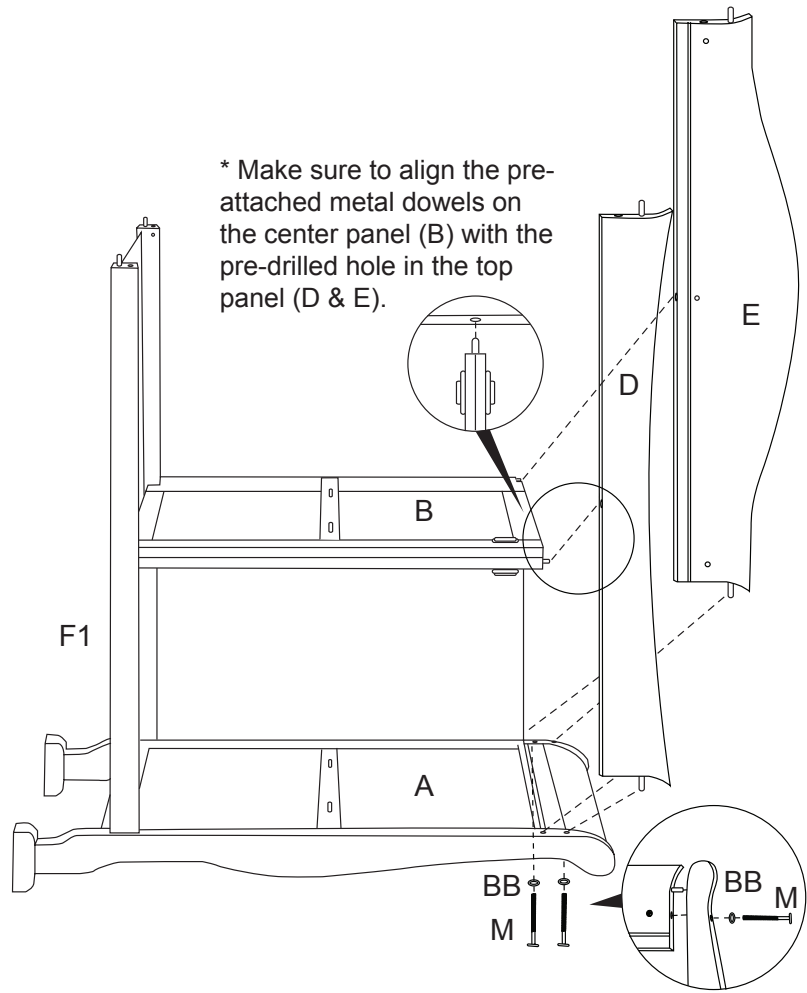
DO NOT OVERTIGHTEN.

Step 7

Align the top front (D) and top rear (E) support panels with the dowels and pre-drilled holes in (A). Attach with Allen head bolts (M) and washers (BB). Use the Allen wrench (FF) to tighten.

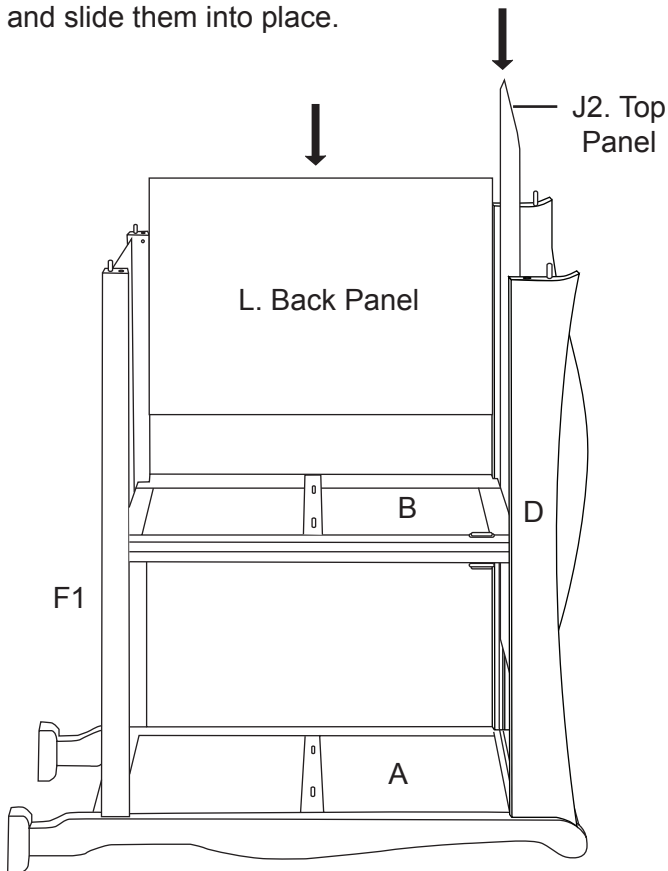
NOTE: Do not tighten the top front panel (D) until after the door attachment in step 10.

DO NOT OVERTIGHTEN.



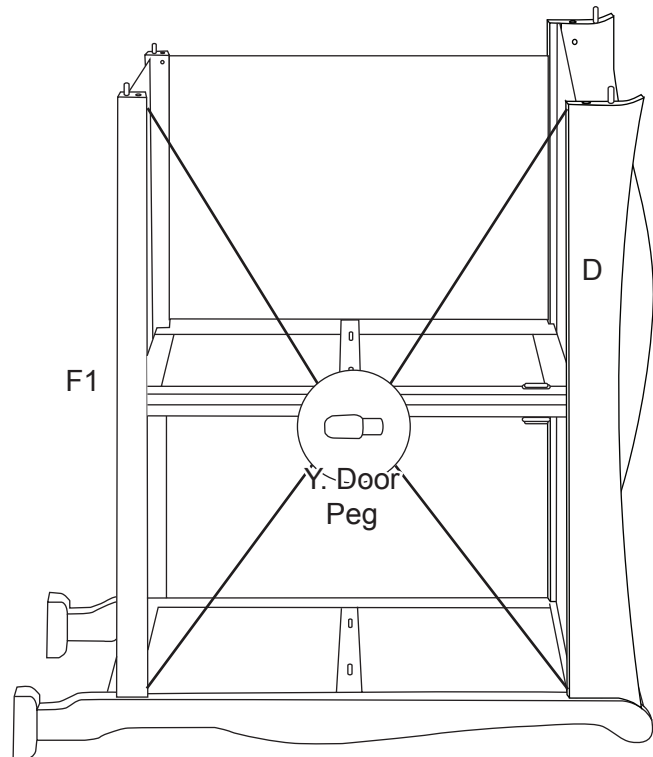
Step 8

Align the back panel (L) and the top panel (J2) with the grooves and slide them into place.



Step 9

Insert the metal door pegs (Y) into the pre-drilled holes in the top support panel (D) and bottom front panel (F1).

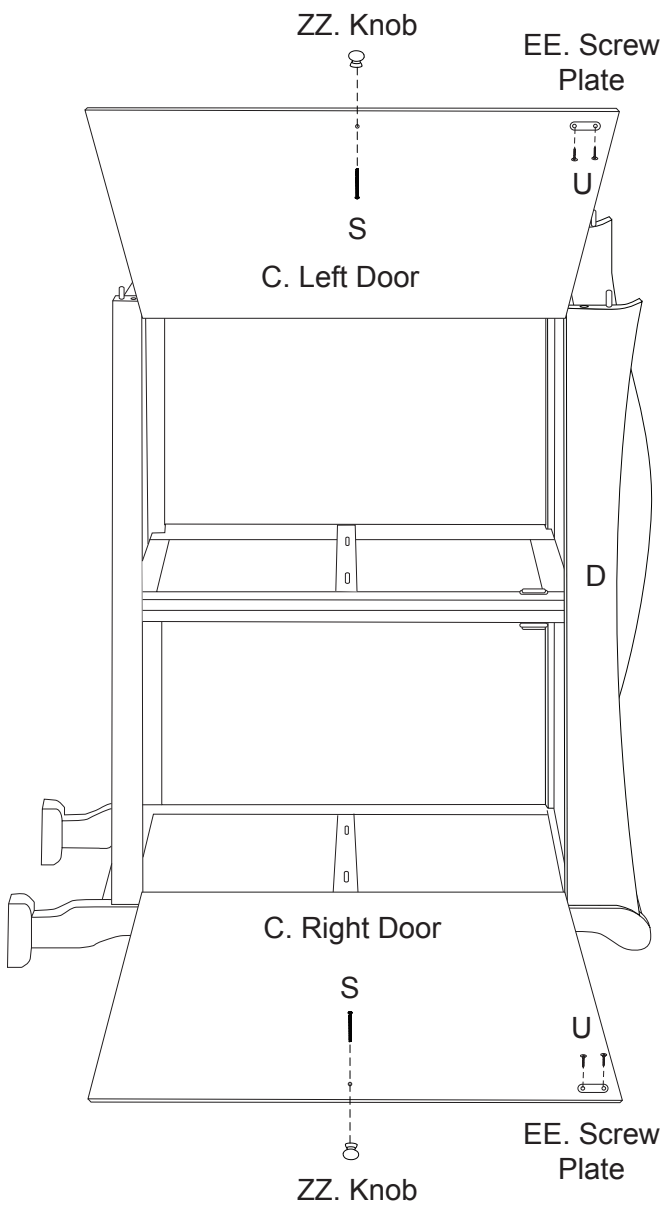


Step 10

Attach the doors (C) to the assembled unit using the metal door pegs (Y) in the pre-drilled holes in the top and bottom of the doors (C).

Move the top support rail (D) to allow the pegs to slip into place. **Tighten the top support rail (D) when finished.**

Attach the door knobs (ZZ) to the doors (C) using the Phillips head screws (S). Then attach the screw plates (EE) to the doors (C) using the screws (U).

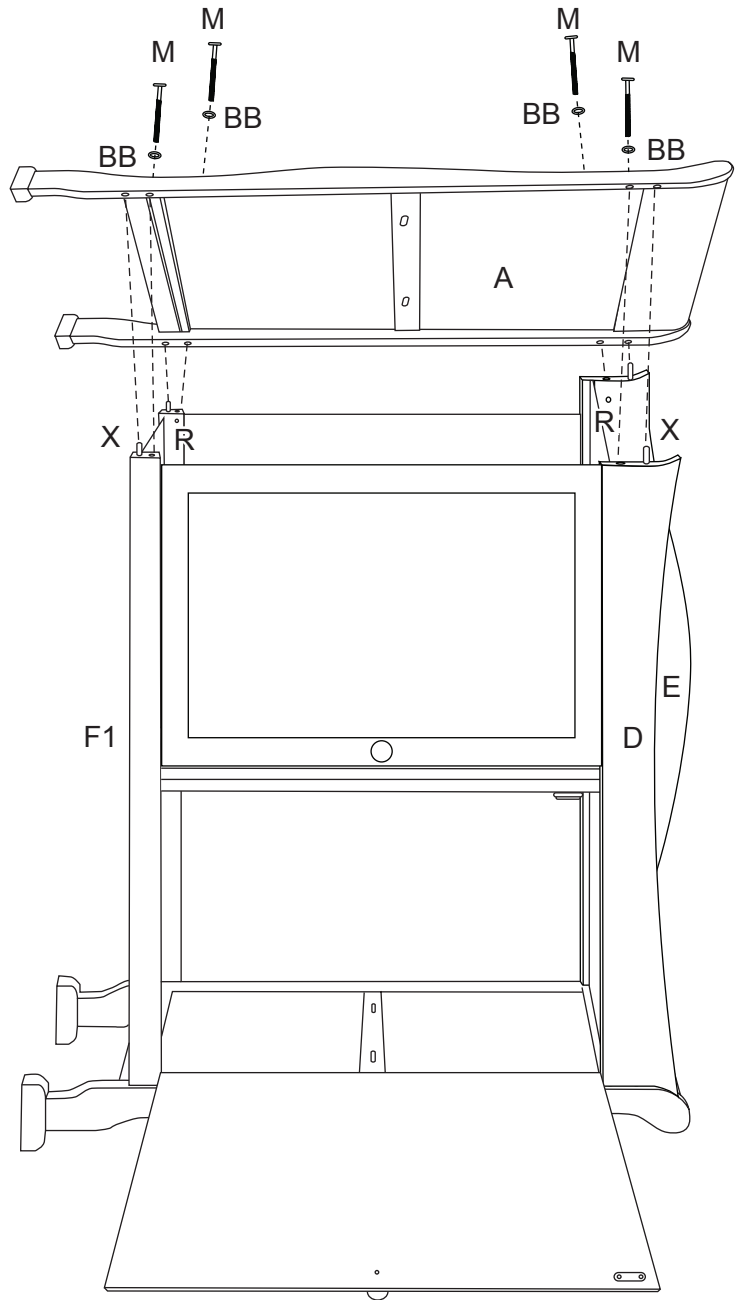


DO NOT OVERTIGHTEN.

Step 11

Align the metal dowels (X) in the in the pre-drilled holes in the support panels (D, E, F1 & F2) with the holes in the left side panel (A).

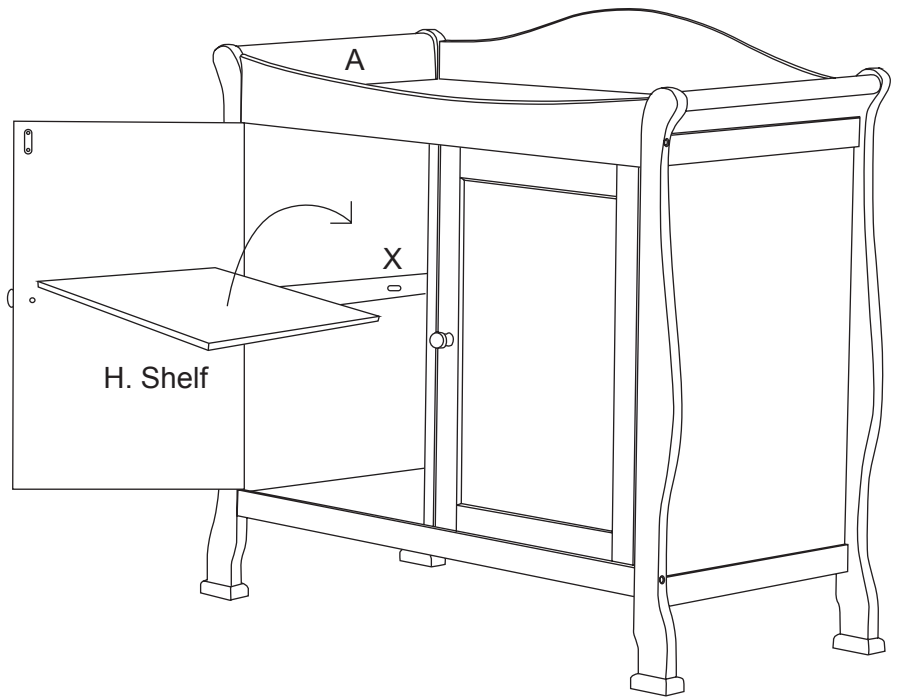
Make sure that the barrel nuts (R) are placed in the proper position in the pre-drilled holes in the support panels (D, E, F1 & F2). Attach the left side panel (A) with the Allen head bolts (M) and washers (BB). Tighten with the Allen wrench.



DO NOT OVERTIGHTEN.

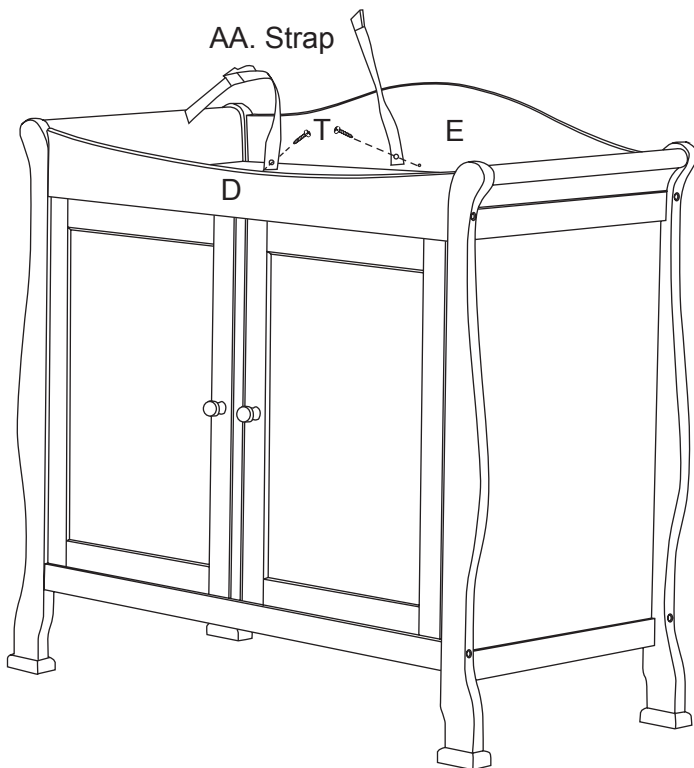
Step 12

Stand the unit upright on its feet and place the shelves (H) on the metal dowels (X) on the right and left sides (A).



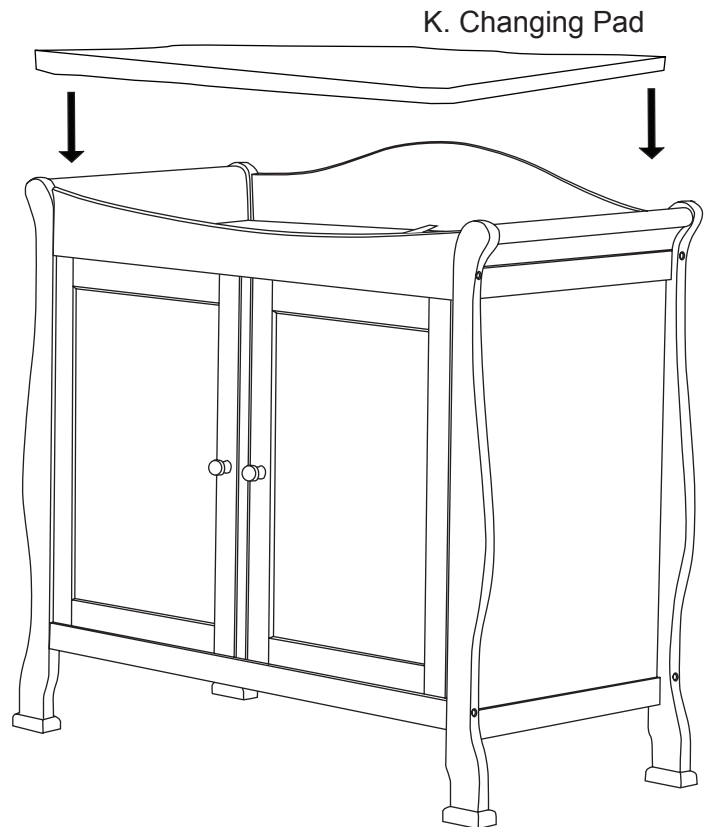
Step 13

Attach the safety strap (AA) to the top panels (D) and (E) using screws (T).



Step 14

Place the changer pad (K) to the changer and the changer is ready to use.



The recommended maximum weight of the occupant is 30 lbs.



WARNING! FALL HAZARD

TO PREVENT DEATH OR SERIOUS INJURY, ALWAYS KEEP CHILD WITHIN ARM'S REACH.

READ ALL INSTRUCTIONS BEFORE ASSEMBLING THIS PRODUCT. KEEP THE MANUAL FOR FUTURE USE.



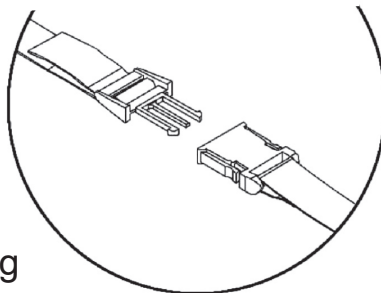
WARNING:

- Read all instructions before use of the changing table, add-on changing unit, or contoured changing pad.
- Do not use changing table, add-on changing unit, or contoured changing pad if it is damaged or broken.
- This product is not intended to be used as a changing table without adult supervision. Use of the product without this may result in death or serious injury to your child from falling. Follow all instructions on attaching and using the changing table.
- Only use the pad provided by the MDB FAMILY.
- The maximum weight of the child for which the changing table is intended is 30 lbs.
- Stop using this changing table when the child is able to sit up or roll over.
- As with all infant and baby furniture, it is important to check fasteners, screws, and bolts periodically for tightness. Parents should ensure a safe environment for their child by checking the furniture regularly before placing the child in the product.
- When using this product, always secure the child with the safety strip.



WARNING! FALL HAZARD

To prevent death or serious injury, always keep child within arm's reach. Never leave a child unattended and always use the restraining system.



ONE YEAR LIMITED WARRANTY:

We will replace any missing parts at the time of purchase or any defective item within a one year period from the date of original purchase. Please keep your receipt so that we may process your warranty request. This warranty only covers new units with original packaging and ownership, and is not transferable. It does not cover any used, secondhand or demo models.

This warranty does not cover any damaged or defective parts that result from installation and assembly, normal wear and tear, abuse, negligence, improper use or alteration to the finish, design, and hardware of the crib. The specific legal rights of this warranty may vary from state to state. Some states do not allow any exclusion or limitation of incidental damages. Some states do not allow limitation on how long an implied warranty lasts.

Maintenance and Cleaning:

Do not scratch or chip the finish. Do not use abrasive chemicals for cleaning. Clean with mild soap on a soft rag. Rinse and dry thoroughly. If you ever refinish this furniture, be sure to use only a non-toxic finish specified for children's products. If you choose to refinish this furniture, the warranty will be voided.

Storage:

Pine woods exchange moisture with the air adjusting to major changes in room temperature and humidity. Therefore it is best to place your furniture away from heating or air-conditioning vents. Sunlight is not friendly to solid wood furniture and prolonged direct exposure to harsh sunlight can discolor the finish. Be careful not to place your furniture in direct sunlight for extended periods of time. As with all your fine furniture, blot up spills immediately.

Registering your product is even easier than before. You can register your product on our website at: www.themdbfamily.com

IF YOU WOULD LIKE TO ORDER REPLACEMENT OR MISSING PARTS PLEASE VISIT US AT:

WWW.THEMDBFAMILY.COM

OR YOU CAN CONTACT US BY MAIL:

MDB FAMILY

855 WASHINGTON BLVD.

MONTEBELLO, CA 90640

Restraint System

WARNING:

During the diaper changing process, be sure always to keep one hand on the baby to prevent the baby from falling off the changing pad. Falling from the changing pad could cause severe injury or even death to the baby.



Step 1.

Place a baby on the pad with his/her bottom on the top of the diaper. Safely secure the baby on the pad with the safety straps and buckle on the pad. This helps prevent the baby from falling off the pad, which can result in severe injury or even death of the baby.



Step 2.

Remove the dirty diaper from the baby.



Step 3.

Push the baby's legs forward and create a cavity under the baby's bottom. Clean the baby.



Step 4.

Reattach the new diaper to a clean and happy baby!